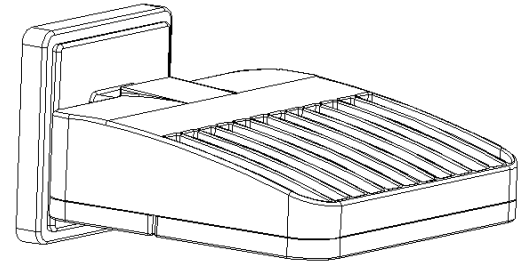


Architectural Wall pack Luminaries

INSTALLATION INSTRUCTIONS

(KLWPAC35 KLWPAC70)



! Warning:

- Turn power off before inspection, installation or removal.
- Properly ground electrical enclosure.
- Make sure all install firmly.
- Use only UL or IEC approved wire for input/output connections.
- Minimum size of the AC wires 18 AWG.
- The luminaire must be installed by qualified electrician.
- Other warnings that will not lead to misuse.

Descriptions:

- This luminaries is designed for outdoor lighting applications, and should not be used in areas of limited ventilation, or in high ambient temperature enclosures.
- This luminaries is designed to operate in ambient temperatures ranging from -40°C to 50°C and to be mounted horizontally on a vertical wall with LEDs facing down.
- This luminaries is designed use in wet Location, should be not used in water.

Installation:

● Unpacking

This luminaries has been properly packed ,should be no part damaged during the transit,Inspect after open the package to confirm any thing missing or damaged.

● Handling

Damage may occur if luminaries is improperly handled outside of pack ,Do not impact or stack luminaries after removal from packaging.

● Mounting

The luminaries can be mounted in three methods: Support mounted, Wall mounted, Trunnion Mounted.

Corresponding to different types of installation of the product model, please confirm before you install the product model

Module NO XXXXXXXXXA: Open the bottom of the junction box by 4 screw. Connect the wire as Figure 4.open the wire cover Take the wire pass through the wire holes in the fixture ,and Rotate to the appropriate scale then close the screw firmly. Put the fixture into the hole (7/8-inch O.D) on the support ,Close the screw firmly see Figure 1.

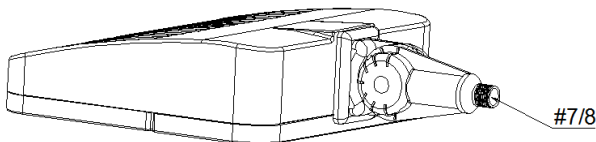


Figure 1

Module XXXXXXXXXB: pen the bottom of the junction box by 4 screw. Connect the wire as Figure 4 ,The Mounting diagram to the wall or outlet in this instructions may be used as a drill template see Figure 2.

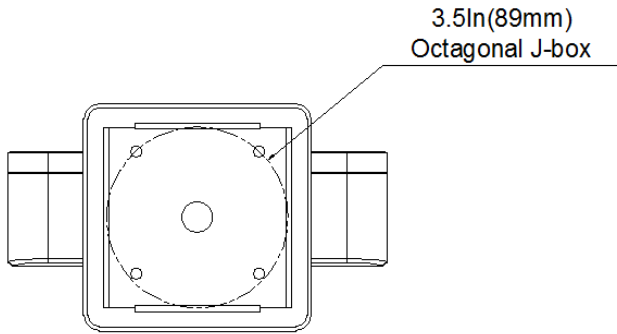


Figure 2

Module XXXXXXXXC: Connect electrical wires to the fixture by pulling wires from the outlet box into Electrical Cavity. Connect wire on unit to wires from outlet box, See Figure 3.

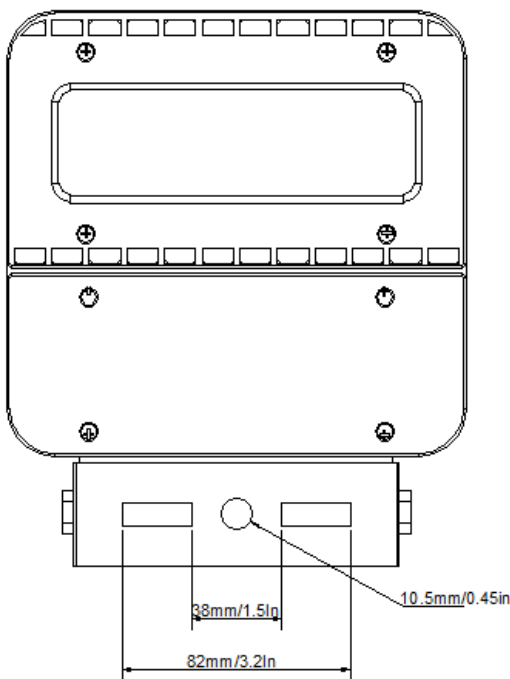


Figure 3

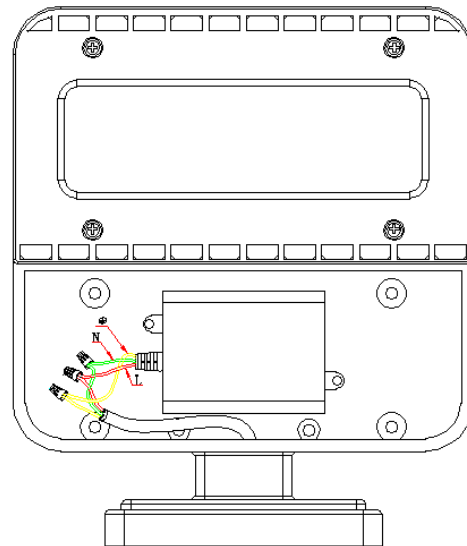


Figure 4

External Dimming Control (If Applicable):

- Gray Lead = 0VDC (-)
- Violet Lead = Up To 10VDC (+)
- Storage

Until installation, all units should be placed in a covered dry storage area. The storage area should not exceed -40°C (-40°F) to 50°C (122°F)